

SERVOCONTROLS AND HYDRAULICS (I) PVT LTD.

Cartridge Manifold Block for Pick and Carry Crane Machines



We have designed and developed master control manifold block for the braking system and auxiliary functions control manifold block for the pick and carry cranes.

Auxiliary Functions: Boom UP & Down, Boom Extension and Retraction, outriggers open and close etc.

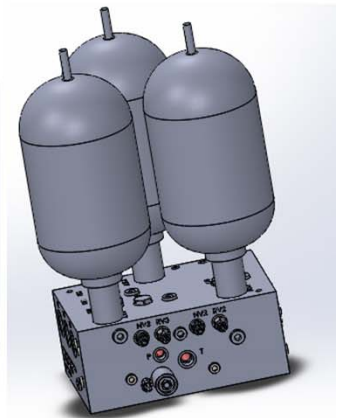
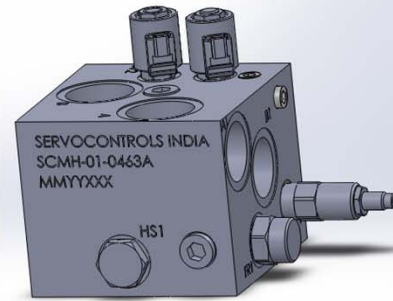
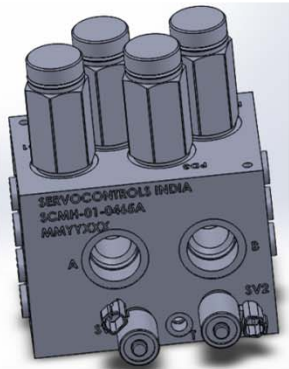
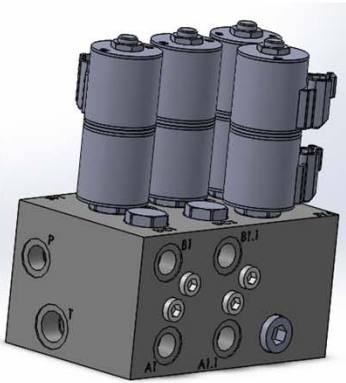
Specifications:

Working Flow : 110 lpm.

Priority Braking pressure : 75 bar.

Auxiliary functions Pressure : 220 bar.

Cartridge Manifold Blocks for HDD Machines.



We provide the complete solution for the HDD Machines.
We have designed and developed complete Manifold blocks solution for the various operations of the HDD machines like.

1. Track Rotation control.
2. Vise clamping and declamping.
3. Crane movement control.
4. Torque control.
5. Outriggers control manifold block.
6. Thrust control block etc.

ELECTRO HYDRAULIC CONTROL SYSTEMS FOR HYDRAULIC TRANSMISSIONS.



We provide the complete Electro hydraulic solution for the hydraulic transmissions for the Dumpers.

- FULL FLOW TECHNOLOGY
- APPLICATION PROVEN
- FULL ELECTRO HYDRAULIC CONTROL SYSTEM
- PRECISE CLUTCH ENGAGEMENT
- PROGRAMMABLE PRESSURE CONTROL
- SMOOTH TRANSITION
- CUSTOMISED FILL & RAMPING RATES.
- EFFICIENT & ECONOMICAL
- IP69K ENVIRONMENTAL PROTECTION