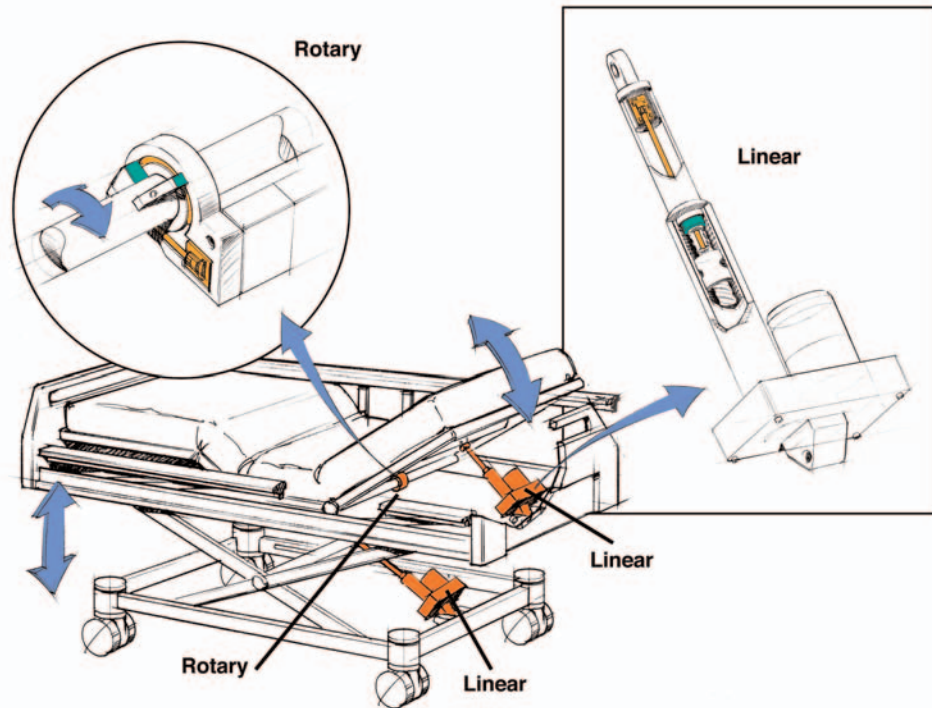


Medical Hospital and Home Care Bed

550879 C

Application Idea



MTS Temposonics linear-position sensors provide quick position changes

Automating the motion of patient care appliances, such as beds, allows the appliance to quickly adjust to preferred positions for treatment by a physician or for prescribed periodic position changes of the patient. Beds are typically actuated by pneumatic, hydraulic or electric motors. In all cases, MTS Temposonics C-Series sensors offer a choice of convenient integration methods into the bed. C-Series sensors can be mounted independently of the actuator to reference the actual bed position rather than interpolate position through the series

of joints. C-Series Sensors can also be fully integrated within the actuator design for mounting convenience.

Because these magnetostrictive sensors have the unique ability to conform to both straight and curved position paths, curved or circular motions can be measured as well as linear motions. So, one sensor type and one communication method is all that is needed for all potential motions within the appliance, saving design time and cost. Analog or digital solutions are available, as well as bus communications.

All specifications are subject to change. Please contact MTS for specifications that are critical to your needs.

Servocontrols & Hydraulics India Pvt Ltd.
Survey No 683,
Industrial Estate,
Udyambag, Belgaum,
India-590 008
Tel.: 91-831-2407501/ 02/ 03, 5202251.
Fax: 91-831-2484496
sales@servocontrolsindia.com
www.servocontrolsindia.com