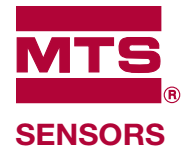


Temposonics®

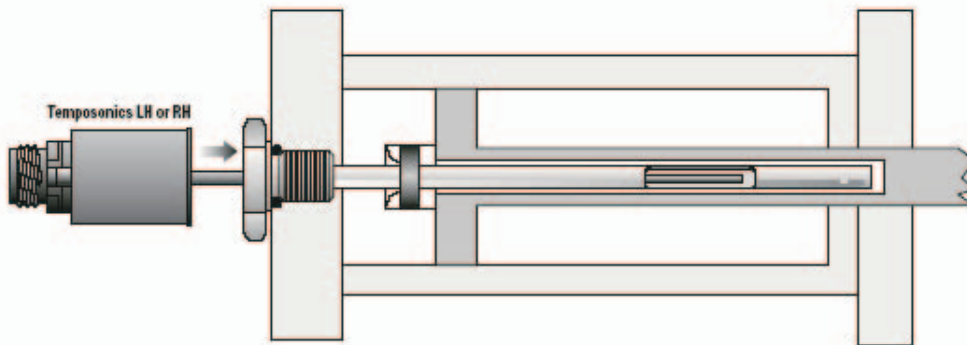
Magnetostrictive Linear-Position Sensors



Hydraulic Cylinders

550849 B

Application Idea



Typical rod-style sensor installation

High performance and durability have made Temposonics the in-cylinder position sensor standard in the fluid power industry since their introduction in 1975. Our innovative modular design allows customers to easily replace the sensing element and electronics without breaking the cylinder's high-pressure seal. This feature allows users to easily change sensor electronics for system upgrades, thereby significantly reducing maintenance costs and downtime. As MTS continues to innovate and shrink our emposonics electronics housings, new designs are finding use in more and more small envelope applications.

Overview

Application: Position feedback for control of hydraulic cylinders in numerous applications.

Benefits:

- Superior position feedback from highly accurate, continuous, absolute output.
- High shock and vibration tolerance and superior EMI and noise immunity to ensure trouble free operation.

Overview (continued)

- Replaceable sensing element eliminates the need to drop hydraulic pressure or break the hydraulic seal (sensor models GH and RH).
- Compact sensing electronics available for short installation envelopes (sensor models LD and RD).
- Environmentally friendly design prevents leaks from sensor/cylinder port.
- Simultaneous position and velocity outputs useful for servo-type feed back control.
- Fieldbus interfaces enable use in distributed control architectures.

Sensors Used:

- Temposonics LD, GH, RD and RH (rod-style) sensor models.

All specifications are subject to change. Please contact MTS for specifications that are critical to your needs.

Servocontrols & Hydraulics India Pvt Ltd.
Survey No 683,
Industrial Estate,
Udyambag, Belgaum,
India-590 008
Tel.: 91-831-2407501/ 02/ 03, 5202251.
Fax: 91-831-2484496
sales@servocontrolsindia.com
www.servocontrolsindia.com