



# ST0165 Position Transducer

## Key Features

- 6.5-Inch (165-mm) Maximum Travel (Series 165)
- Analog Signal Using Precision Conductive Plastic Potentiometer
- Bearing-Mounted Rotating Components
- Optional Flexible Mounting Bases
- Zero Backlash, No Torsion Springs or Clutches

## Specifications

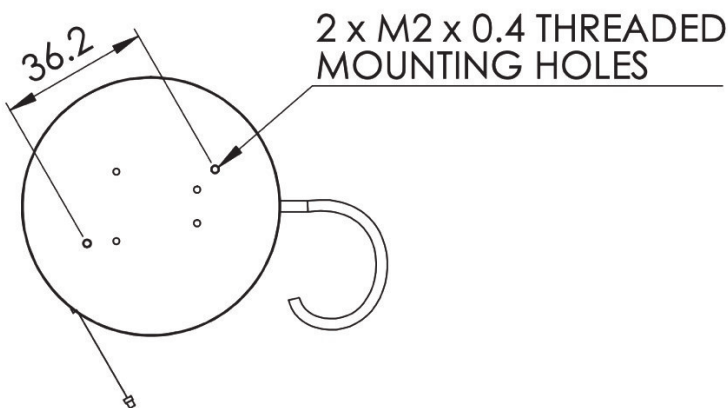
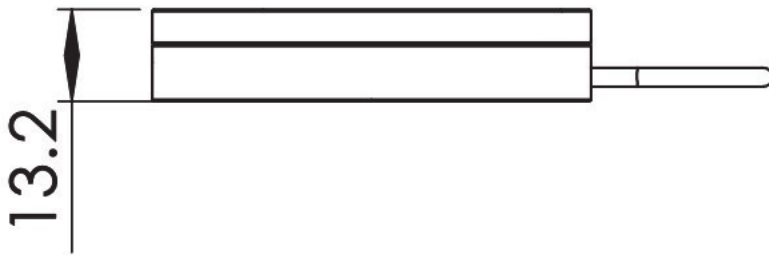
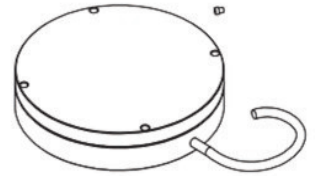
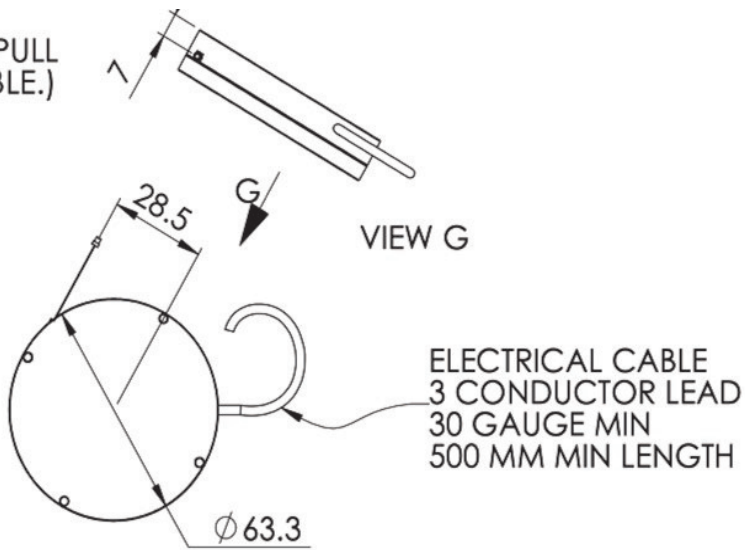
Potentiometer Type	1-turn conductive plastic precision potentiometer
Resistance:	Value 5K ohms, Tolerance , $\pm 10\%$
Travel:	165mm max Electrical 340°, Mechanical , 340°
Mechanical Life	1 Million cycles
Output Signal	analog signal from 0 to supply voltage (voltage divider circuit)
Power Rating	1.0 W at 158° F (70° C)
Supply Current	12 mA max
Supply Voltage	35 VDC max (using voltage divider circuit)
Independent Linearity Error	$\pm 0.5\%$ max per VRCI-P-100A
Output Smoothness	0.1% max
Insulation Resistance	1000 Mohms at 500 VDC min
Dielectric Strength	1000 VDC min
Resolution	infinite signal
Electrical connections	White - Output Blue - Excitation



# ST0165 Position Transducer

## General Drawings

(NOTE: LEFT HAND PULL IS ALSO POSSIBLE.)





## ST0165 Position Transducer

### A Brief introduction about Our company

**Servocontrols** is the system house of closed loop controls started in the year April 2002 by two young entrepreneurs Mr. Deepak and Dinesh Dhadoti. Mr. Deepak has a rich experience in the global market and technology where he worked for Moog Incorporation in East Aurora, New York facility and Mr. Dinesh. Dhadoti who has the know how of local Indian market.

We design and Manufacture Products / Systems to specs and also made print in Servo Actuators with Servo Valve, Proportional Valve, Solenoid Valves, FCA, TVC Actuators, IGV Actuators, Electromechanical Actuator, Manifold blocks, Hydraulic power packs, Wire harnessing and Structural fabrication / Integration / On site commissioning and Turn Key Projects with a team strength of more than 300 Personnel and we have a state of the art Design and Manufacture Facility and also (100% EOU Unit) at Belagavi , Karnataka.

### Our In-house Facilities

- In-house Mechanical/Electronics/Electrical Design Depts.
- State of the Art 2/3/5 axes machine shop
- Clean Room facility for Hydraulics and Electromechanical systems
- Electronic lab with software Devt. Center
- Assembly and Test Shop
- Fabrication and Paint Shop
- Metrology Lab
- Servo Lab



### TECHNICAL ALLIANCE / SERVICE PARTNERS / AUTHORISED DISTRIBUTORS

LRD3100



Lion precision – Clear label sensor



Montalvo corporation – Web control solutions



Closed loop Motion Controllers and controls accessories



Electromechanical Linear and Rotary Actuators and Drive systems

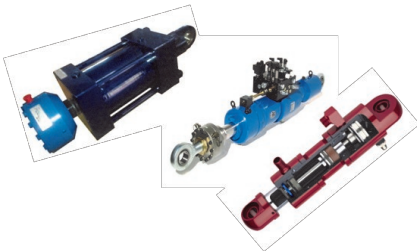
Temposonics® R-Serie V



Temposonics Position sensors



Pressure sensors with Digital/Analog outputs



Servo Actuators with Servo valve, In-built Temposonic Positions sensor and Load cell



Mobile Electronics & E-Hydraulics



Custom built Steam Turbine Governor control actuation system



First Mark– Wire draw sensors for Aerospace applications



2/3/6 DOF Electro mechanical / Hydraulic Motion Platforms



NACOL—Japan Bladder type accumulators



Hydraulic Power packs with Optional Electrical control panel



Structural / Component / Material Test rigs





Closing the loop



**Address for Correspondence:**

**SERVOCONTROLS & Hydraulics (I) Pvt. Ltd**

(An ISO 9001-2008 & AS 9100 Rev C Certified Company)

Survey No. 683, Industrial Estate, Udaymbag,

Belgaum - 590 008, Karnataka, India

Tel: 91-83102407501/2/3, 2481734, 4201132

Mobile :9480321735

E-mail: [marketing@servocontrolsindia.com](mailto:marketing@servocontrolsindia.com)

Website: [www.servocontrolsindia.com](http://www.servocontrolsindia.com)



**SERVICING OF SERVO VALVES**

**World Class Servo valve Repair, Assembly, Test Lab. All Brands, All Types, All Configurations**

We Repair/ service Proportional, Servo Proportional & Servo valves. Abex, Atchely, Cincinnati, Dowty, Dyval, EMG, Herion, Hydromatic, Kawasaki, LHC, Moog, Star, Oilgear, Olsen, Parker, Pegauses, Plasser, Rexroth-Bosch, Shnieder, Soplelem, Towler, TSS, Ultra, Vickers etc.

**SERVICING OF TEMPOSONIC SENSORS**

We have dedicated Electronics lab with all necessary instrumentation and inventories for Servicing Temposonic position sensors.

**TECHNICAL ALLIANCE PARTNERS**

